

# *ProShake* PLUS™

The Professional's Choice In Shake Replacement



## **ALIGNMENT GUIDE**

# ProShake Plus™ Roof Layout Guide



WIDTH	8 1/2"	APPROX. TILES PER SQ. AT RECOMMENDED HEADLAP	150
LENGTH	14"		
HEIGHT	1"		
MINIMUM HEADLAP	2 1/4"	APPROX. WEIGHT PER SQ. AT RECOMMENDED HEADLAP	595 lbs.
RECOMMENDED EXPOSURE	11 3/4"		

**Disclaimer:** This Roof Layout Guide is being furnished solely as supplemental information to assist in the layout and alignment aspects only of ProShake Plus™ clay roofing tiles. For detailed installation recommendations in moderate climate regions US Tile®, references the **Concrete and Clay Roof Tile Installation Manual for Moderate Climate Regions (ER-6034P)** published by the Roof Tile Institute (RTI). For detailed installation recommendations in cold weather climates or where ice damming can occur, US Tile references the **Concrete and Clay Tile Roof Design Criteria Manual for Cold and Snow Regions** published by the RTI and Western States Roofing Contractors Association (WSRCA).

## General

ProShake Plus™ features two different wood shake patterns and it is suggested that they be applied in a random manor. The tiles can be laid with either a standard half-bond (full and half tile) or a random broken bond method utilizing a minimum 2" offset from the sidelap (water channel) of the tile directly below.

## Roof Pitches

Roof slopes of 4:12 and above require a minimum of one layer of ASTM D226 Type 2 (No. 30 lb) underlayment and a minimum 2 1/4" field tile headlap. Roof slopes between 3:12 to less than 4:12 require a minimum of two layers of ASTM D226 Type 2 (No. 30 lb) underlayment and a minimum 2 1/2" field tile headlap. Roof slopes less than 3:12 require an approved built-up roofing membrane.

## Roof Layout

### Standard Exposure

ProShake Plus nominal measurements are 14" long by 8 1/2" wide. The standard exposed area to the weather is 11 3/4" when the 2 1/4" minimum head lap is used.

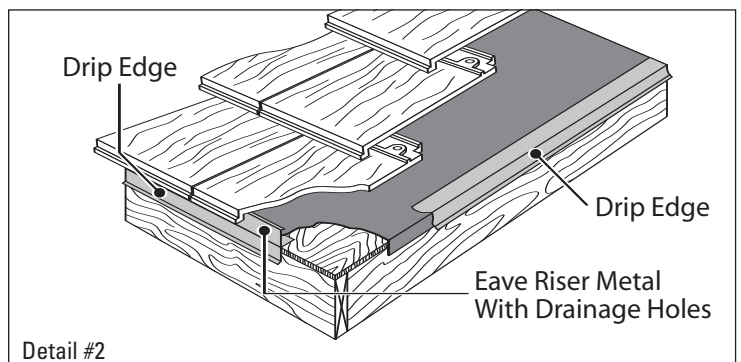
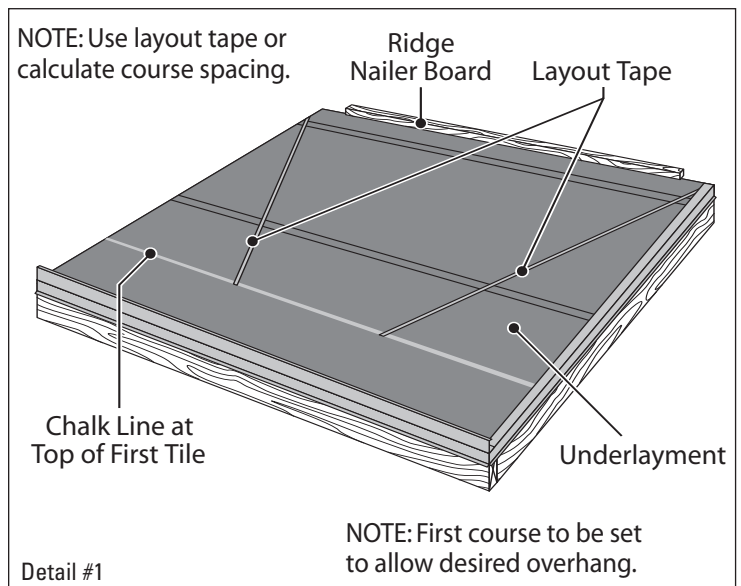
### Variable Exposure

The ProShake Plus standard exposure can be reduced by a nominal 1/2" in an effort to finish with a full tile along the ridge line. The best method is to use a pre-marked layout tape marked at 11 3/4" intervals to ensure the standard 2 1/4" minimum headlap is maintained. The first course, along the eave line, should be marked at a maximum of 13 1/4" to maintain the nominal 3/4" overhang. This will allow the water channel to drain beyond the chosen eave riser treatment. The last course line should be marked approximately 1 1/2" from the center of the ridge line. At each end of the roof section, rotate or "swing" the layout tape or pre-marked carpenter's tape perpendicular to the first course line along the eave until even with the top mark just below the center of the ridge line. Mark the underlayment using the layout tape and snap lines up the roof surface (see detail #1).

### Eave Treatment

**Note:** A nominal overhang between 3/4" and 2" along the eave is required to allow the water channel to drain beyond the chosen eave treatment. When an overhang beyond 3/4" is desired be sure to view the eave line from ground level before commencing with roof layout to verify that the exposed support ribs at the underside of the tiles are acceptable.

**Metal Eave Riser Method:** Install the eave riser edge metal with drainage holes along the entire eave line (see detail #2).

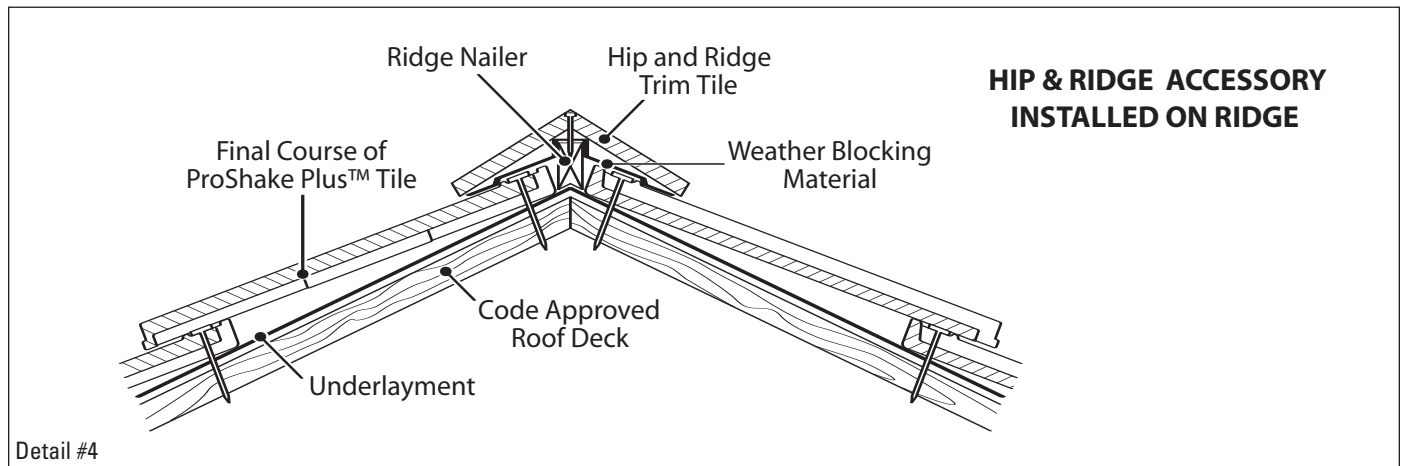
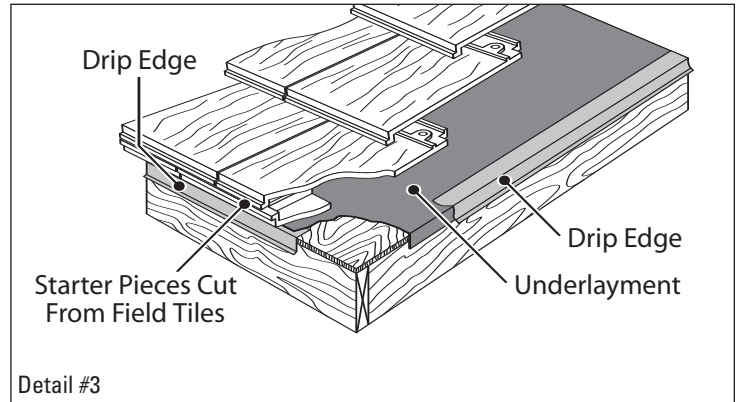


# ProShake Plus™ Roof Layout Guide

**Double Tile at Eave:** Cut field tiles a nominal 4" length for typical overhang along eave and drill nail holes for mechanical attachment. For extended overhangs, the length of the starter tiles will need to be increased. For the best aesthetic result, the starter tile should be offset from the first course of tile directly above and installed in a reverse (upside down) fashion to hide the exposed support ribs when viewed from ground level (see detail #3).

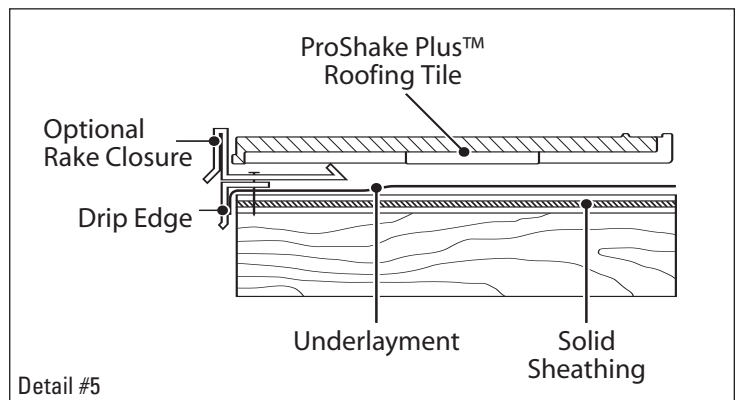
## Hip and Ridge

Securely fasten hip/ridge nailer boards of sufficient height to maintain an even plane of trim tiles. Field tiles at all hip sections shall be cut to within an average of 1/2" from the hip nailer board. An approved weather blocking material is required (see detail #4).

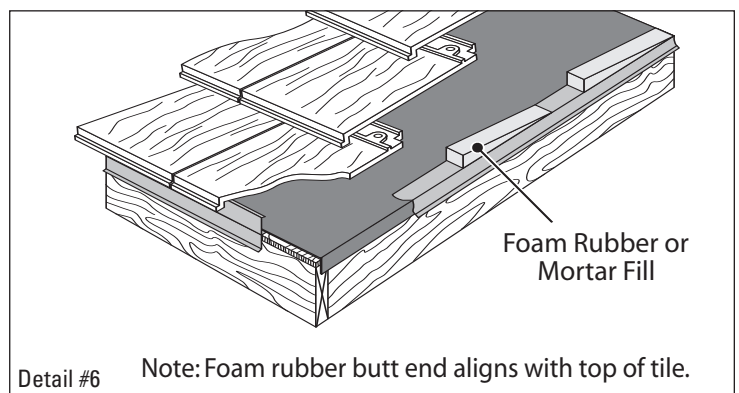


## Rake Closure Options

**Metal Rake Closure:** Extend underlayment over edge of gable ends a minimum of 1" and install metal drip edge of sufficient size to cover the exposed edge of decking. Install the metal rake closure directly over metal drip edge flush with gable end. Field tiles can be installed flush with the inside edge of rake closure or with a small gap (see detail #5).



**Foam Rubber or Mortar Rake Closure:** Extend underlayment over edge of gable ends a minimum of 1" and install metal drip edge of sufficient size to cover the exposed edge of decking. Extend field tiles a nominal 3/4" past gable ends. Remove rain channels and/or sidelocks from the exposed edge of field tiles that overhang barge rafter or gable end. Fill void under exposed edge of field tile with foam rubber or mortar and trowel flush with metal drip edge (see detail #6).



## **COLOR**

**U.S. TILE REAL CLAY ROOF TILES COME WITH A TRANSFERABLE LIFETIME LIMITED WARRANTY THAT INCLUDES FADE AND LABOR COVERAGE.**

**U.S. TILE'S ROOFING WARRANTY OFFERS—**

- **Lifetime coverage for the original owner**
- **Transferability to a future owner**
- **Non-prorated coverage for the entire term of the warranty**
- **FADE AND LABOR COVERAGE\* so that your customers know their roof will look good both now and in the future**

**\*See our warranty for specific details.**

Colors may vary due to the inherent variations in natural clay products and the limitations of the lithographic printing process (or variations in equipment and monitor settings on the Web.

The concerned parties should examine actual color samples at both the time of initial color selection and once again from the delivered production run prior to installation.

In order to avoid any possible unattractive color patterning during the installation of blended colors, the skilled installer should periodically view the roof from ground level at the distance of about 50 feet. This procedure will help ensure the desired random look and help to avoid "hot spots," checkerboarding, streaks, or stairstepping.

Acceptable blending cannot be done at the factory or on the ground; it can only be done as the product is installed.