



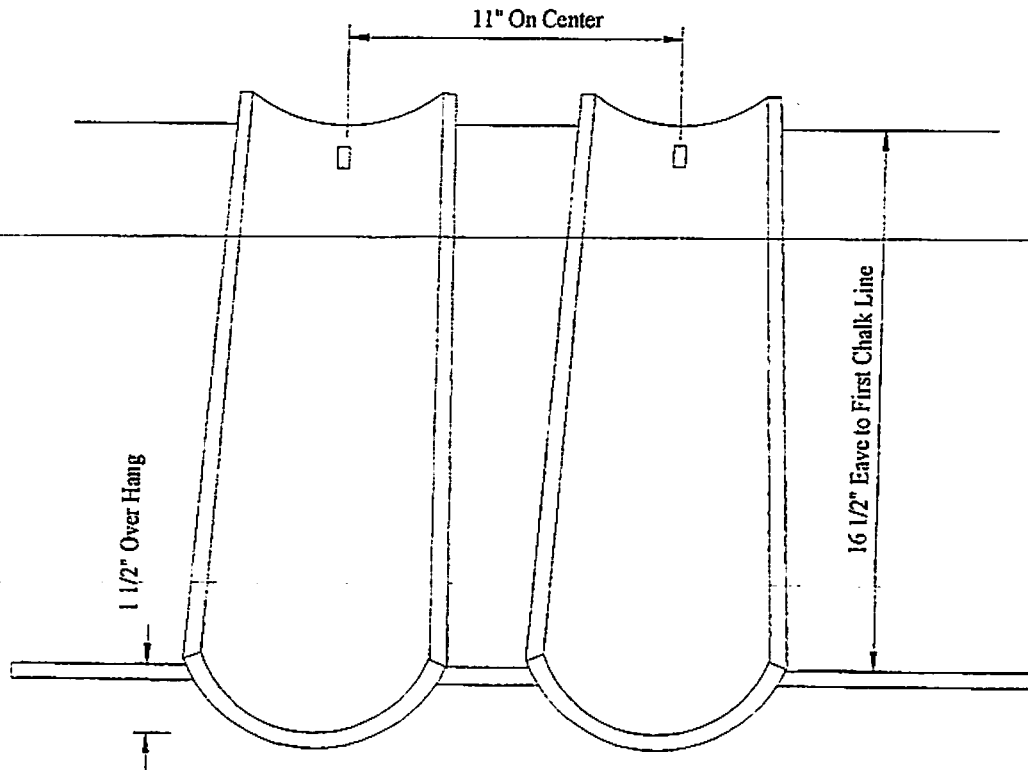
U.S. TILE

FAUX MISSION

INSTALLATION

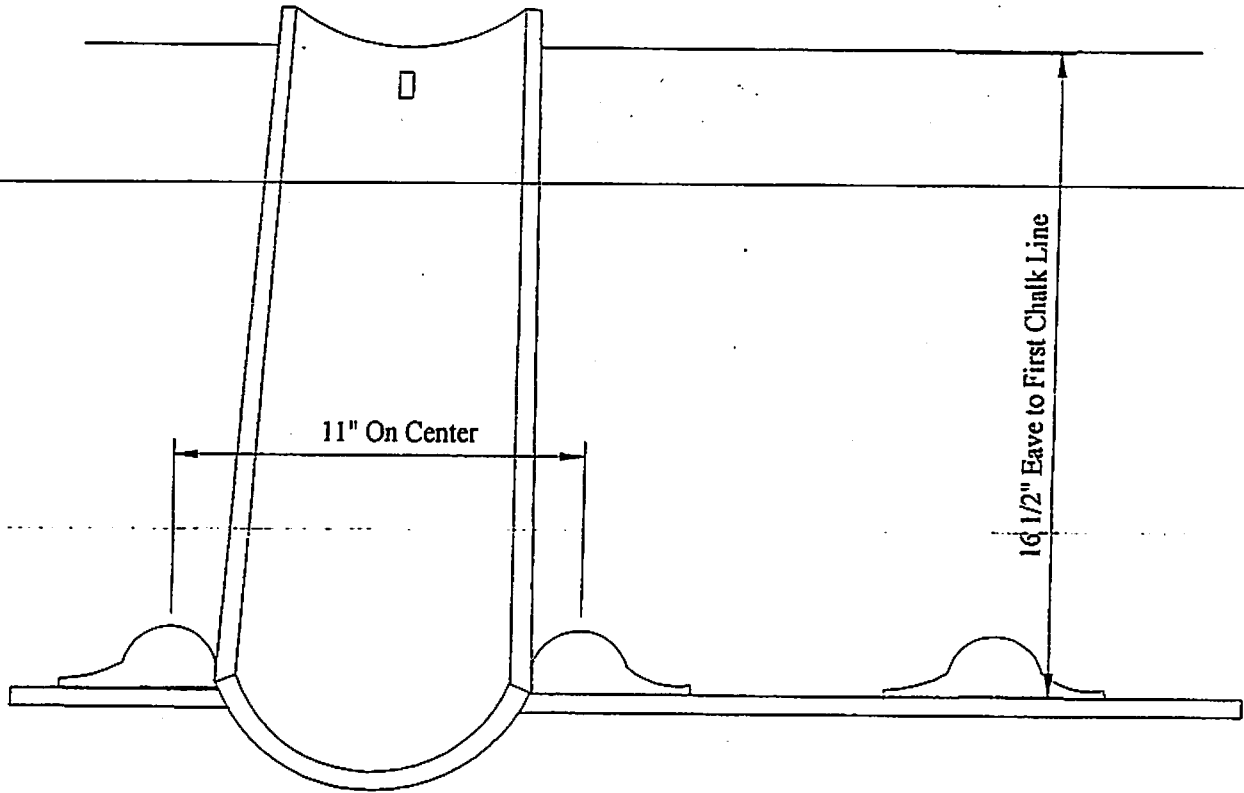
GUIDE

Ustile®
Authentic Clay Roofing Tile



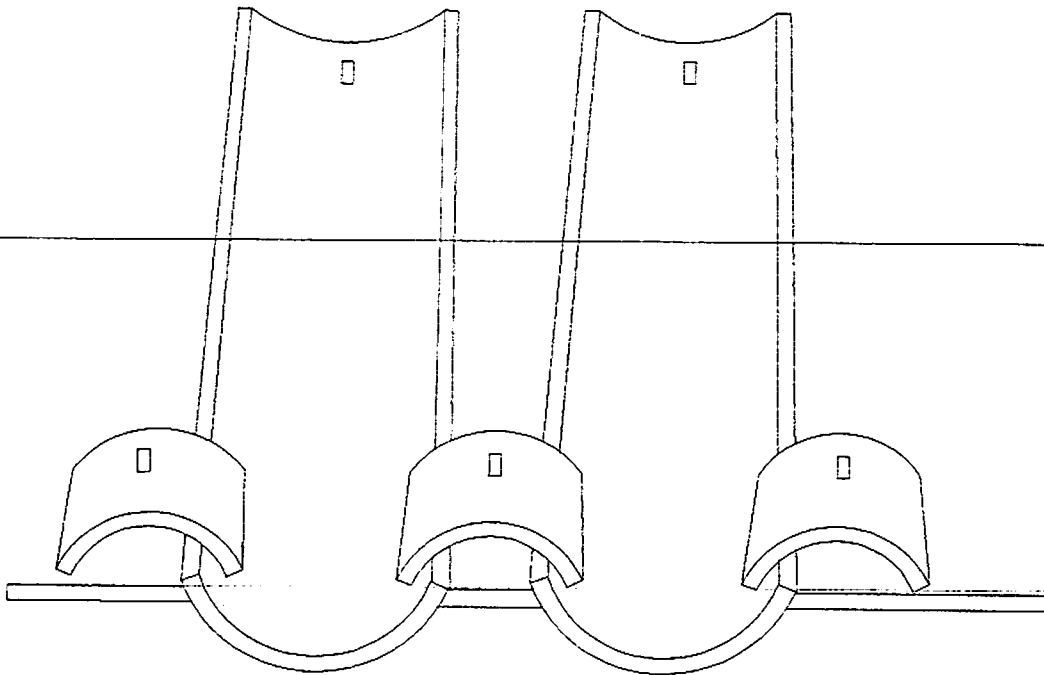
1. Install pans along eave line between birdstops by aligning the top edge of the pans with the horizontal chalk line marked at 16 1/2" for the eave.
2. Do not exceed the 11" maximum on-center spacing.

Ustile®
Authentic Clay Roofing Tile



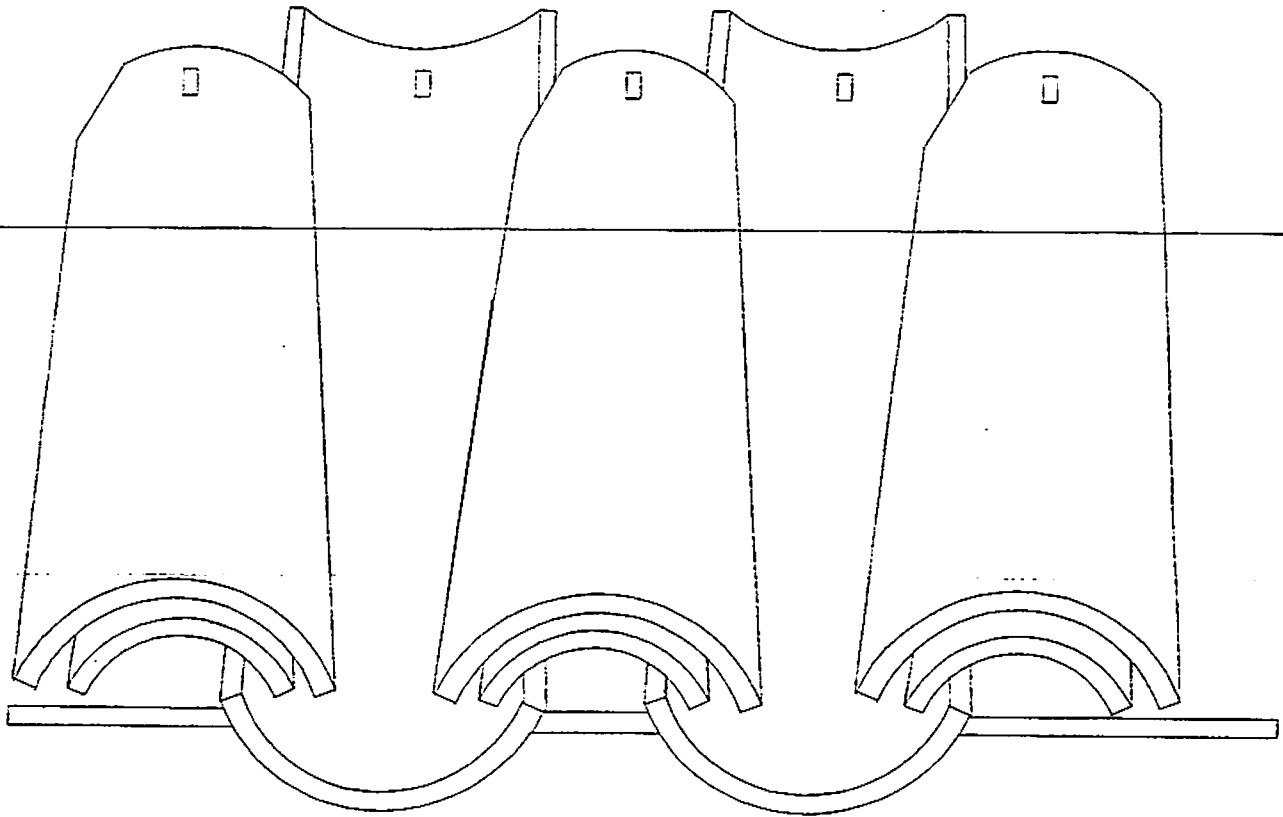
- 1) Chalk the first horizontal pan line at 16 ½" from the eave. Chalk each additional line using a maximum of 15" course spacing.
- 2) Mark the on center spacing for pans at a maximum 11" along eave line. Install the birdstops along eave line between on center spacing for pans.

Ustile®
Authentic Clay Roofing Tile



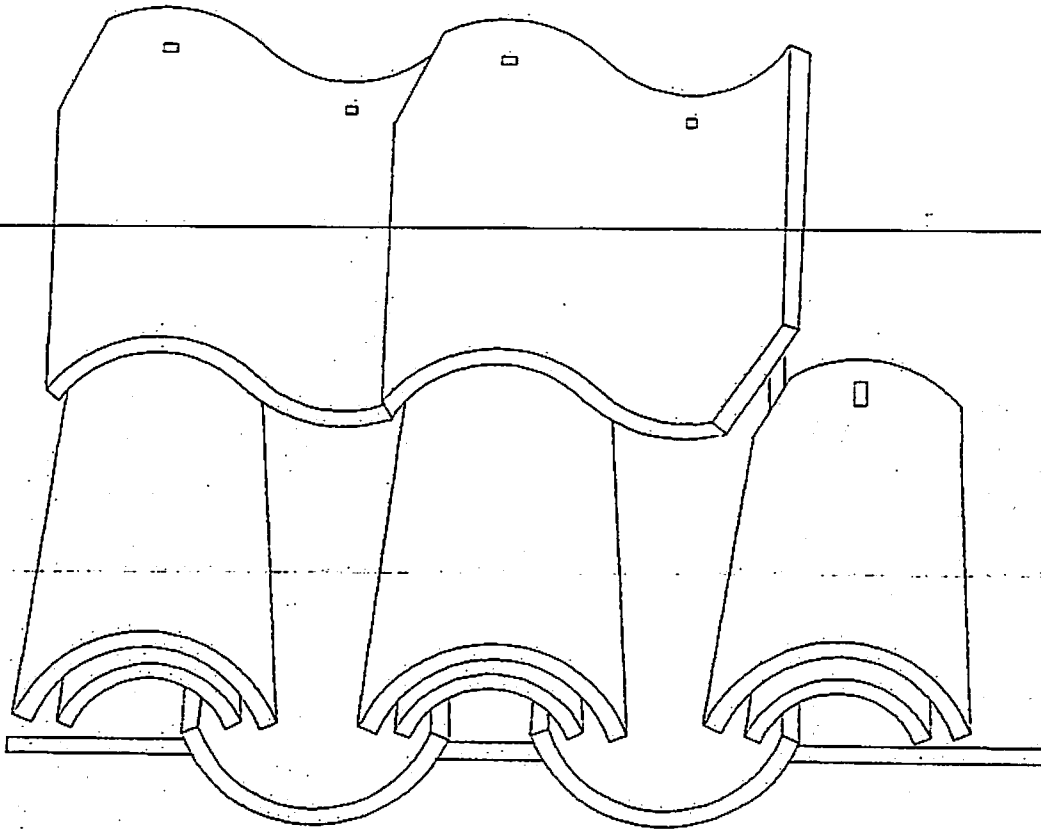
- 1) Cut off 3" booster piece along the factory "score" line from each booster/starter tile.
- 2) Rotate or reverse small booster tile so that factory fired edge (or small tapered end) is visible along the eave line.
- 3) Align booster tile with the lower exposed edge of the pan. Fasten each small booster tile by means of a tile nail with a butt hook, wire tie, or other approved adhesive method.

Ustile[®]
Authentic Clay Roofing Tile



- 1) Make a diagonal cut at upper left corner of the starter/cover tile to match the diagonal cut of the One-Piece S or Claylite[®] field tile being used for the second course.
- 2) Install the 15" starter/cover tile directly over the small booster tiles along the eave line.

Ustile®
Authentic Clay Roofing Tile



- 1) Install the One-Piece S or Claylite® tile directly over the top edge of the two-piece mission eave treatment. Ensure that a minimum 3" headlap is maintained.
- 2) Proceed with the remainder of the roof installation using the One-Piece S or Claylite® field tiles.