



ICC Evaluation Service, Inc.
www.icc-es.org

Business/Regional Office ■ 5360 Workman Mill Road, Whittier, California 90601 ■ (562) 699-0543
Regional Office ■ 900 Montclair Road, Suite A, Birmingham, Alabama 35213 ■ (205) 599-9800
Regional Office ■ 4051 West Flossmoor Road, Country Club Hills, Illinois 60478 ■ (708) 799-2305

Legacy report on the 1997 Uniform Building Code™

DIVISION: 07—THERMAL AND MOISTURE PROTECTION
Section: 07320—Roof Tiles

“CIT” CLAY ROOFING TILES

CERAMICA INDUSTRIAL DE TECATE, S.A. DE C.V.
POST OFFICE BOX 423
TECATE, CALIFORNIA 91980

1.0 SUBJECT

“CIT” Clay Roofing Tiles.

2.0 DESCRIPTION

2.1 General:

“CIT” Clay Roofing Tiles are of vitrified clay machine-formed and kiln-fired to various temperatures for different colors, for use as a noncombustible roof-covering system in accordance with the 1997 Uniform Building Code™ (UBC). The tiles are tapered and curved to approximately one third of a circle.

2.1.1 Two-piece Mission Tile: Tiles are 1/2 inch (12.7 mm) thick and 20 1/4 inches (514 mm) long, and have widths at the large and small ends of approximately 8 inches (203 mm) and 7 inches (178 mm), respectively. See Figure 1. The tiles are installed with a minimum head lap of 3 inches (76 mm) and maximum horizontal spacing of 11 inches (279 mm). Installed tiles have a vertical exposure of 17 inches (432 mm) and weigh approximately 10.5 pounds per square foot (51 kg/m²). An attachment hole is provided at the small end of the top tile and at the large end of the pan tile. The tiles may be used to trim hips, ridges and rakes, provided they are embedded in mortar or roofer’s mastic. Tiles installed in contact with mortar are immersed in water for two minutes prior to placement.

2.1.2 Two-piece Can Cun Mission Tile: The two-piece Can Cun tile is similar to the two-piece Mission tile, except that it is approximately 6 3/4 inches (171 mm) wide at the large end, 5 1/2 inches (140 mm) wide at the small end and 17 1/2 inches (445 mm) long. See Figure 2. Tiles are installed in the same manner as the two-piece Mission tile, except the horizontal spacing is 9 inches (229 mm). The weight of the tiles, with a 3-inch (76 mm) head lap, is approximately 10.5 pounds per square foot (51 kg/m²).

2.2 Installation:

Unless specified otherwise in this report, installation must comply with Table 15-D-1 of the UBC. Solid sheathing of

minimum 15/32 inch (11.9 mm) thickness is required for all roof slopes. See Figure 3 for typical installation details.

2.2.1 Slopes Less Than 3:12: The tile is considered only as a decorative material and must be installed over an approved roof covering complying with the UBC, subject to building official’s approval.

2.2.2 Slopes 3:12 to 7:12: Underlayment of two layers of Type 15 felt or one layer of Type 30 felt is applied in accordance with the code. A 1-inch-by-2-inch (25.4 mm by 50.8 mm) cant strip is placed parallel to the eave and fastened to the sheathing with 5d corrosion-resistant common nails. Each tile is fastened to the sheathing with one No. 11 gage corrosion-resistant nail of length sufficient to penetrate 3/4 inch (19.1 mm) into the sheathing or through the sheathing thickness, whichever is less.

2.2.3 Slopes 7:12 to 21:12: The installation details are identical to those described above, except that each tile must be fastened with a tile lock assembly recognized in Evaluation Report ER-3362.

2.3 Identification:

Each tile is embossed with the name “CIT, Mexico.” In addition, each pallet is identified with the evaluation report number (ER-4564), the installed weight of the tiles and the “CIT, Mexico” name.

3.0 EVIDENCE SUBMITTED

Reports of tests conducted in accordance with the Acceptance Criteria for Clay and Concrete Roof Tile (AC180), dated January 2002, and descriptive information.

4.0 FINDINGS

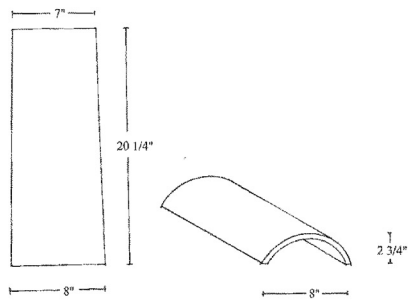
That the “CIT” Clay Roofing Tiles are noncombustible roof coverings complying with the 1997 Uniform Building Code™, subject to the following conditions:

- 4.1 The tiles are identified and installed in accordance with this report and the manufacturer’s instructions.
4.2 Installation of the tiles is limited to areas where the mean annual rainfall does not exceed 20 inches (508 mm) and the average of the daily lows for any month is not lower than 30°F (–1°C).

This report is subject to re-examination in two years.

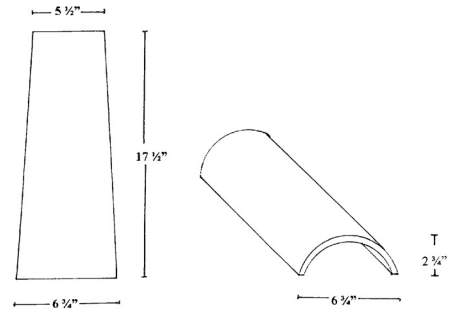
ICC-ES legacy reports are not to be construed as representing aesthetics or any other attributes not specifically addressed, nor are they to be construed as an endorsement of the subject of the report or a recommendation for its use. There is no warranty by ICC Evaluation Service, Inc., express or implied, as to any finding or other matter in this report, or as to any product covered by the report.





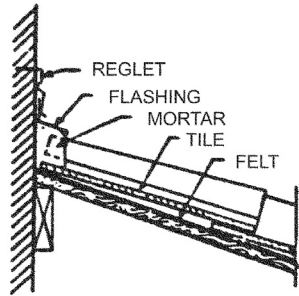
For SI: 1 inch = 25.4 mm.

FIGURE 1

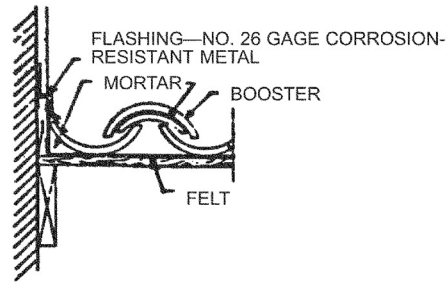


For SI: 1 inch = 25.4 mm.

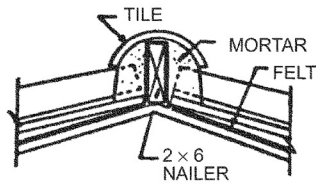
FIGURE 2



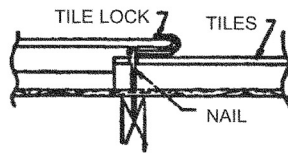
FLASHING AT WALL



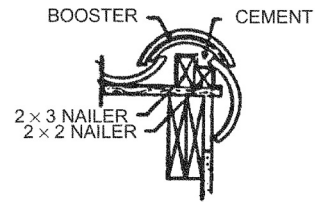
FLASHING AT WALL



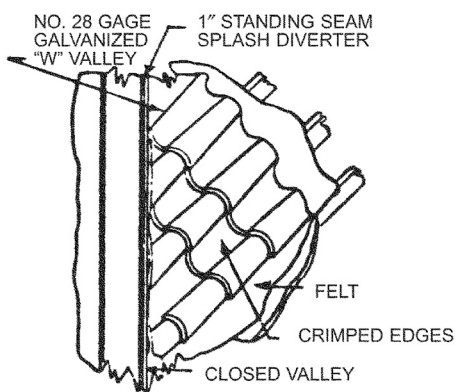
RIDGE AND HIP



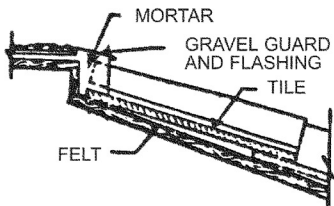
WIND LOCK



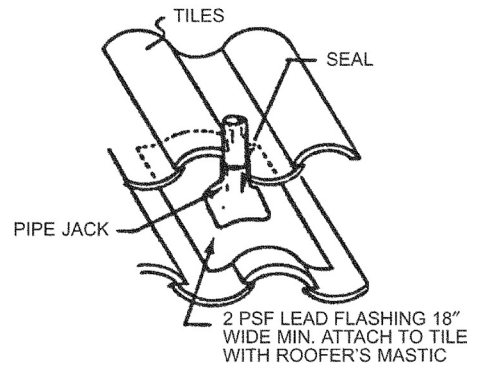
RAKE



VALLEY FLASHING



INTERSECTION AT DECK AND ROOF



VENT FLASHING

For SI: 1 inch = 25.4 mm.

FIGURE 3